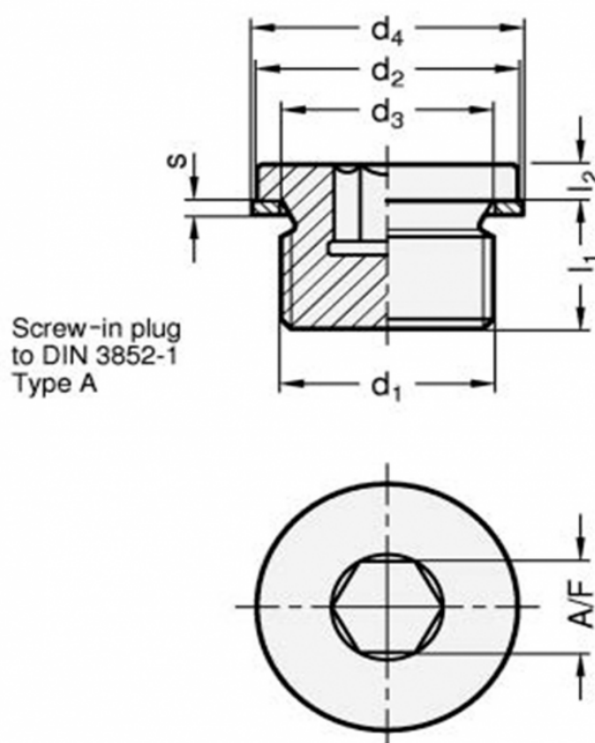


Article number: 20908STM81AC

Description: E+G Threaded plug DIN 908-ST-M8x1-AC

## Measures



A/F	= 4
d1	= M8x1
d2h14	= 12
d3	= 8.3
d4	= 11.5
l1	= 8
l2	= 3
s	= 1

Weight in (g) = 6